



# PLUGS non-threaded

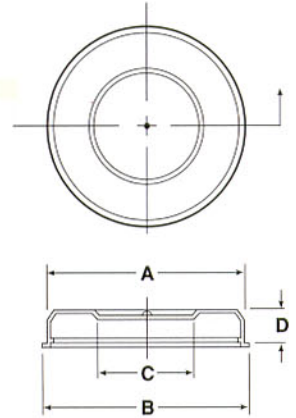
## STP Series Shallow Tube Plugs For Packaging Tubes



Series STP Shallow Tube Plugs are an ideal closure for container tubes used for packaging, shipping or mailing. They are designed to fit snugly in the tube end. The narrow flange ensures that there is no over-hanging projection to catch on other tubes.



**MATERIAL:** Low Density Polyethylene  
**COLOR\*:** White



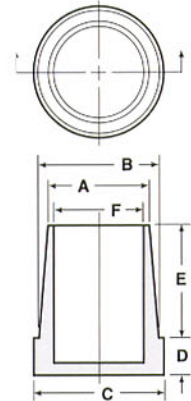
## K Series Plugs For Round Tubing



Series K Tubing Plugs are especially designed for applications where the outside diameter of the closure should not exceed the outside diameter of the tubing. Flanges fit flush with outer walls of tubing, providing positive protection against moisture and dirt. Especially suitable for general purpose, Type K copper tubing, SAE Standard, J-528.

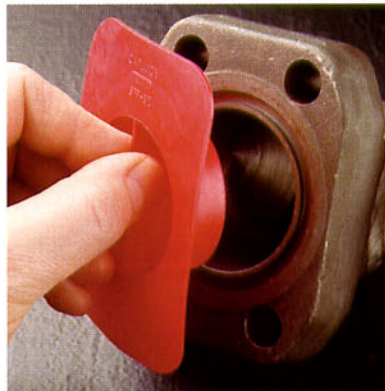
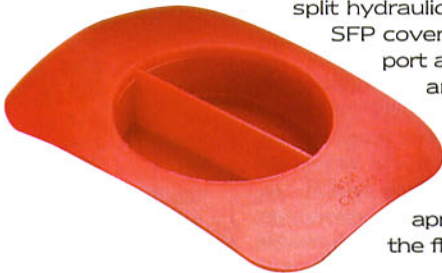


**MATERIAL:** Low Density Polyethylene  
**COLOR\*:** Red

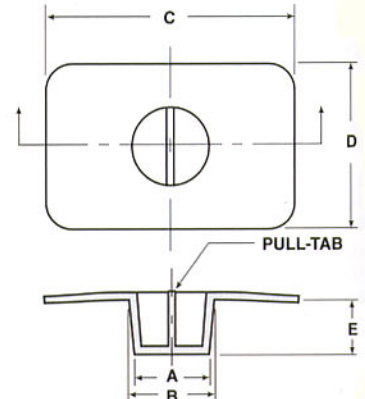


## SFP Series Covers for Split-Flange Connections

Series SFP Covers are designed for use on SAE 3000 lb., four-bolt, split hydraulic flanges. The SFP cover protects the port and fits snugly and firmly into the opening with an integral surrounding apron protecting the flange surface.



**MATERIAL:** Low Density Polyethylene  
**COLOR\*:** Red





## STP Series

Caplug No.	Dimensions								Packaging				Caplug No.
	A		B		C		D		Standard Carton		Mini Pak Quantity		
	in	mm	in	mm	in	mm	in	mm	Shipping Wt.(Approx.) lbs	kgs		No. of Pieces	
STP-1-1/2	1.52	38.61	1.62	41.15	1.00	25.40	.46	11.68	15	6.8	2500	500	STP-1-1/2
STP-1-3/4	1.77	44.96	1.87	47.50	1.00	25.40	.46	11.68	17	7.6	2500	500	STP-1-3/4
STP-2	2.03	51.56	2.12	53.85	1.50	38.10	.46	11.68	12	5.4	1000	200	STP-2
STP-2-1/2	2.53	64.26	2.63	66.80	1.50	38.10	.46	11.68	15	6.8	1000	200	STP-2-1/2
STP-2-3/4	2.78	70.61	2.88	73.15	1.50	38.10	.46	11.68	17	7.6	1000	200	STP-2-3/4
STP-3	3.03	76.97	3.16	80.27	2.00	50.80	.46	11.68	16	7.2	750	150	STP-3
STP-3-1/4	3.28	83.32	3.41	86.62	2.00	50.80	.46	11.68	12	5.4	500	100	STP-3-1/4
STP-4	4.05	102.87	4.17	105.92	2.00	50.80	.45	11.43	18	8.1	500	100	STP-4
STP-5	5.04	128.02	5.18	131.58	3.00	76.20	.48	12.19	15	6.8	250	50	STP-5
STP-6	6.04	153.42	6.19	157.23	3.50	88.90	.48	12.19	8	3.6	100	20	STP-6
STP-6-1/16	6.11	155.20	6.26	159.01	3.50	88.90	.57	14.48	10	4.5	100	20	STP-6-1/16

Applicable Specs.: MIL-C-5501/8

## K Series

Caplug No.	Will Plug SAE J-528 Tubing For O.D.s Listed	Dimensions										Packaging				Caplug No.		
		A		B		C		D		E		F		Standard Carton			Mini Pak Quantity	
		in	mm	in	mm	in	mm	in	mm	in	mm	in	mm	Shipping Wt.(Approx.) lbs	kgs			No. of Pieces
K-2.5mm	-	.160	4.06	-	-	.22	5.59	.12	3.05	.26	6.6	.10	2.64	2	0.9	5000	1000	K-2.5mm
K-3	3/16	.105	2.67	.138	3.51	.19	4.83	.19	4.83	.31	7.87	.07	1.78	2	0.9	5000	1000	K-3
K-4	1/4	.160	4.06	.202	5.13	.24	6.10	.14	3.56	.38	9.65	.13	3.30	3	1.3	5000	1000	K-4
K-5	5/16	.227	5.77	.272	6.91	.31	7.87	.14	3.56	.38	9.65	.20	5.08	3	1.3	5000	1000	K-5
K-6	3/8	.290	7.37	.340	8.64	.37	9.40	.16	4.06	.38	9.65	.26	6.60	4	1.8	5000	1000	K-6
K-8	1/2	.411	10.44	.466	11.84	.50	12.70	.16	4.06	.38	9.65	.38	9.65	7	3.1	5000	1000	K-8
K-10	5/8	.530	13.46	.587	14.91	.62	15.75	.19	4.83	.56	14.22	.50	12.70	11	4.9	5000	1000	K-10
K-12	3/4	.650	16.51	.712	18.09	.75	19.05	.19	4.83	.56	14.22	.62	15.75	14	6.3	5000	1000	K-12
K-12S	-	.609	15.47	.664	16.87	.73	18.54	.38	9.65	.56	14.22	.58	14.73	20	9.0	5000	1000	K-12S

K-2.5mm is for fiber optic connectors.

## SFP Series

Caplug No.	To Cover Flange Dash Size Inches	To Fit Flange Size	Dimensions										Packaging				Caplug No.
			A		B		C		D		E		Standard Carton		Mini Pak Quantity		
			in	mm	in	mm	in	mm	in	mm	in	mm	Shipping Wt.(Approx.) lbs	kgs		No. of Pieces	
SFP-12	-12	3/4	.73	18.54	.79	20.07	2.56	65.03	1.62	41.15	.50	12.70	17	7.6	2500	500	SFP-12
SFP-16	-16	1	.98	24.89	1.04	26.42	2.75	69.85	1.88	47.75	.50	12.70	23	10.3	1000	200	SFP-16
SFP-20	-20	1 1/4	1.23	31.24	1.29	32.77	3.12	79.25	2.00	50.80	.50	12.70	14	6.3	1000	200	SFP-20
SFP-24	-24	1 1/2	1.46	37.09	1.55	39.37	3.69	93.73	2.38	60.45	.75	12.70	13	5.8	500	100	SFP-24
SFP-32	-32	2	1.96	49.79	2.05	52.07	4.00	101.60	2.75	69.85	.75	12.70	15	6.8	500	100	SFP-32
SFP-40	-40	2 1/2	2.46	62.49	2.55	64.77	4.50	114.30	3.25	82.55	.75	12.70	10	4.5	250	50	SFP-40



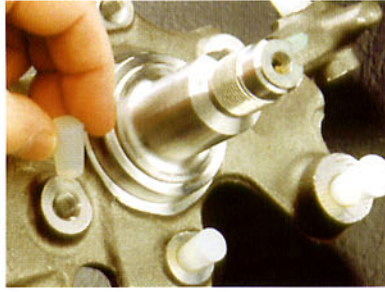


# PLUGS non-threaded

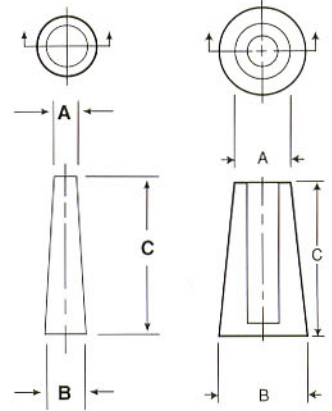
## SRP Series Silicone Rubber Plugs



SRP Series Plugs have a tapered design for ease in plugging ports and holes in parts undergoing painting, plating, powder coating, anodizing, abrasive chemical processing, or exposure to high temperatures up to 600°F (316°C). Smaller sizes are solid while larger parts (Caplug No. with an H suffix) have a hollow design.



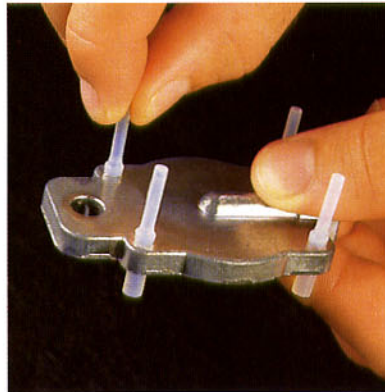
MATERIAL: Silicone Rubber  
COLOR\*: Natural



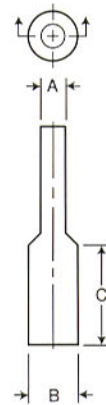
## SPP Series Silicone Rubber Pull Plugs



SPP Series Pull Plugs are designed to provide complete and positive protection to female-threaded ports and to the inside walls of holes ranging from .091" diameter to .335" and in lengths from .62" to 1.00".



MATERIAL: Silicone Rubber  
COLOR\*: Natural



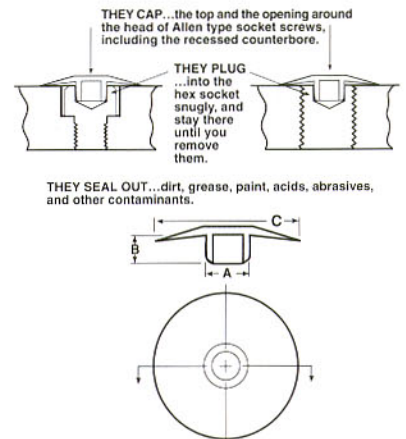
## SH Series Finishing Plugs for Socket Head Screws



Series SH Finishing Plugs keep foreign matter out of the screw head driving recess and the counterbore. Ideal for sanitary-type equipment, screws that need periodic resetting, production and maintenance spray painting and numerous other applications. Translucent polyethylene ensures visual identification of socket screws.



MATERIAL: Low Density Polyethylene  
COLOR\*: Natural



# non-threaded PLUGS



## SRP Series

Caplug No.	Dimensions						Packaging				Caplug No.
	A		B		C		Standard Carton		Mini Pak Quantity		
	in	mm	in	mm	in	mm	Shipping Wt. (Approx.) lbs	kgs		No. of Pieces	
SRP-125-10	.06	1.52	.125	3.18	.63	16.00	1	0.4	1000	200	SRP-125-10
SRP-187-10	.06	1.52	.187	4.75	.63	16.00	1	0.4	1000	200	SRP-187-10
SRP-250-12	.13	3.30	.250	6.35	.75	19.05	2	0.9	1000	200	SRP-250-12
SRP-343-10	.19	4.83	.343	8.71	.63	16.00	3	1.3	1000	100	SRP-343-10
SRP-375-12	.25	6.35	.375	9.53	.75	19.05	4	1.8	1000	100	SRP-375-12
SRP-472-12	.35	8.89	.472	11.99	.75	19.05	3	1.3	400	30	SRP-472-12
SRP-590-16	.39	9.91	.590	14.99	1.00	25.40	6	2.7	250	30	SRP-590-16
SRP-669-16	.51	12.95	.669	16.99	1.00	25.40	4	1.8	200	25	SRP-669-16
SRP-748-16	.55	13.97	.748	19.00	1.00	25.40	2	0.9	100	20	SRP-748-16
SRP-787-16	.63	16.00	.787	19.99	1.00	25.40	3	1.3	100	20	SRP-787-16
SRP-945-16	.71	18.03	.945	24.00	1.00	25.40	3	1.3	100	15	SRP-945-16
SRP-1024-16	.79	20.07	1.024	26.00	1.00	25.40	3	1.3	100	15	SRP-1024-16
SRP-1063-16	.91	23.11	1.063	27.00	1.00	25.40	4	1.8	100	15	SRP-1063-16
SRP-1260-16	1.02	25.91	1.260	32.00	1.00	25.40	5	2.2	100	15	SRP-1260-16
SRP-1456-16H	1.18	29.97	1.456	36.98	1.00	25.40	3	1.3	50	10	SRP-1456-16H
SRP-1614-16H	1.30	33.02	1.614	40.99	1.00	25.40	4	1.8	50	N/A	SRP-1614-16H
SRP-1772-16H	1.46	37.08	1.772	45.00	1.00	25.40	4	1.8	50	N/A	SRP-1772-16H
SRP-1968-16H	1.65	41.91	1.968	49.98	1.00	25.40	3	1.3	25	N/A	SRP-1968-16H
SRP-2205-16H	1.89	48.00	2.205	56.00	1.00	25.40	3	1.3	25	N/A	SRP-2205-16H
SRP-2520-16H	2.13	54.10	2.520	64.00	1.00	25.40	4	1.8	25	N/A	SRP-2520-16H
SRP-2677-16H	2.28	57.91	2.677	67.99	1.00	25.40	4	1.8	25	N/A	SRP-2677-16H

## SPP Series

Caplug No.	Dimensions						Packaging				Caplug No.
	A		B		C		Standard Carton		Mini Pak Quantity		
	in	mm	in	mm	in	mm	Shipping Wt. (Approx.) lbs	kgs		No. of Pieces	
SPP-091-10	.06	1.52	.091	2.31	.62	15.75	2	0.9	1000	200	SPP-091-10
SPP-109-10	.06	1.52	.109	2.76	.62	15.75	3	1.3	1000	200	SPP-109-10
SPP-125-10	.08	2.03	.125	3.17	.62	15.75	2	0.9	500	100	SPP-125-10
SPP-130-10	.08	2.03	.130	3.30	.62	15.75	2	0.9	500	100	SPP-130-10
SPP-140-10	.08	2.03	.140	3.55	.62	15.75	2	0.9	500	100	SPP-140-10
SPP-156-10	.08	2.03	.156	3.96	.62	15.75	2	0.9	500	100	SPP-156-10
SPP-187-10	.11	2.79	.187	4.74	.62	15.75	2	0.9	500	100	SPP-187-10
SPP-197-10	.11	2.79	.197	5.00	.62	15.75	2	0.9	500	100	SPP-197-10
SPP-225-16	.13	3.30	.225	5.71	1.00	25.40	3	1.3	500	100	SPP-225-16
SPP-257-16	.13	3.30	.257	6.52	1.00	25.40	3	1.3	500	100	SPP-257-16
SPP-281-16	.14	3.56	.281	7.13	1.00	25.40	3	1.3	1000	200	SPP-281-16
SPP-312-16	.15	3.81	.312	7.92	1.00	25.40	2	0.9	200	40	SPP-312-16
SPP-335-16	.16	4.20	.335	8.50	1.00	25.40	2	0.9	200	40	SPP-335-16

## SH Series

Caplug No.	Screw Size**	Dimensions						Packaging				Caplug No.
		A		B		C		Standard Carton		Mini Pak Quantity		
		in	mm	in	mm	in	mm	Shipping Wt. (Approx.) lbs	kgs		No. of Pieces	
SH-25	1/4	.198	5.03	.120	3.05	.50	12.70	3	1.3	5000	1000	SH-25
SH-31	5/16	.260	6.60	.151	3.84	.59	14.99	2	0.9	5000	1000	SH-31
SH-38	3/8	.322	8.18	.182	4.62	.69	17.53	5	2.2	5000	1000	SH-38
SH-50	1/2	.385	9.78	.245	6.22	.88	22.35	5	2.2	5000	1000	SH-50

\*\*To fit standard socket headcap screw.





# PLUGS non-threaded

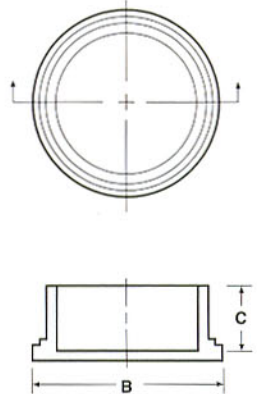
## SEP Series Electrostatic-Free Plugs for Threaded Connectors



SEP Plugs are designed to fit inside both threaded and non-threaded bayonet-type connectors. All static dissipative Caplugs provide a surface resistivity in the range of at least  $1 \times 10^9$  ohms/sq. but less than  $1 \times 10^{12}$  ohms/sq. They also meet the static decay test requirements of MIL-B-81705C, Type II.



MATERIAL: Static Dissipative Polyethylene  
COLOR: Pink



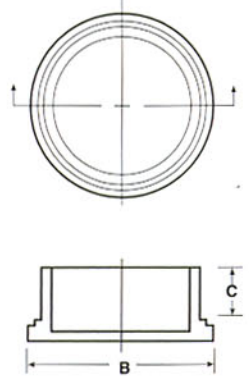
## CEP Series Conductive Plugs



Designed to plug the more popular sizes of both threaded and non-threaded, bayonet-type electrical and electronic connectors, CEP Conductive Plugs provide an electrical shielding as well as mechanical protection.



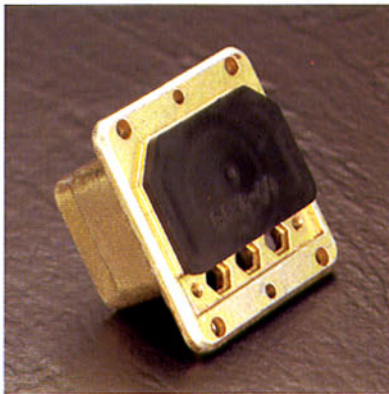
MATERIAL: Conductive Polyethylene  
COLOR: Black



## DP Series Conductive Plugs



DP Series Conductive Plugs are designed to dissipate electrostatic charges, and provide mechanical protection and an electrical shielding for ITT Cannon-style connectors commonly used in aerospace and military applications.



MATERIAL: Conductive Polyethylene  
COLOR: Black

